

# TECNO SALT

## SALT CHLORINATOR

SALT WATER CHLORINATION FOR ALL



# TECNO SALT

## SALT CHLORINATOR

m<sup>3</sup>  
30 - 140

pH

TECH  
8 000 h

RESIDENTIAL  
POOL

## SALT WATER CHLORINATION FOR ALL

### Enjoy more, maintain less

Tecno Salt will take it on itself to give you more time to enjoy your pool, from 30 to 140 m<sup>3</sup> by disinfecting it automatically with salt water chlorination technology for an improved bathing experience. Also exists in pH version for a complete water treatment.



### Reduced footprint

With its compact design, Tecno Salt can fit in most installations, even the dampest ones thanks to its a waterproof casing IP45.

### Safety first

Tecno Salt has been developed to ease the owner's daily routine with security features such as a gas sensor that will stop it if there is no flow and a salt alarm to indicate a lack of salt in the pool.

## RANGE



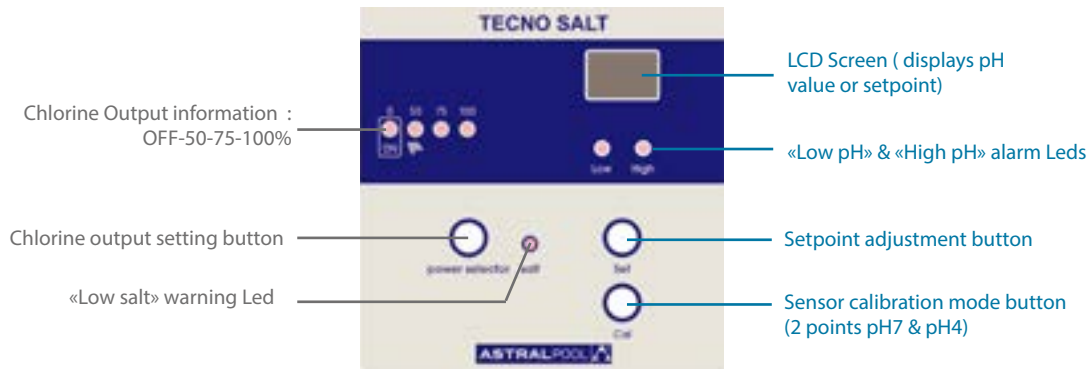
pH accessories

References		Production	Pool Volume*
Tecno Salt	Tecno Salt pH	Salt electrolysis	Up to
<b>74708</b>	<b>74712</b>	7 g / h	30 m <sup>3</sup>
<b>74709</b>	<b>74713</b>	12 g / h	50 m <sup>3</sup>
<b>74710</b>	<b>74714</b>	21 g / h	90 m <sup>3</sup>
<b>74711</b>	<b>74915</b>	30 g / h	140 m <sup>3</sup>


\* Treated water volume based on 8 h/day of use along with filtration with a water temperature at 25°C (pool volume is <25% if water temp is above 25 °C).


# INTERFACE DESCRIPTION


ALL VERSIONS



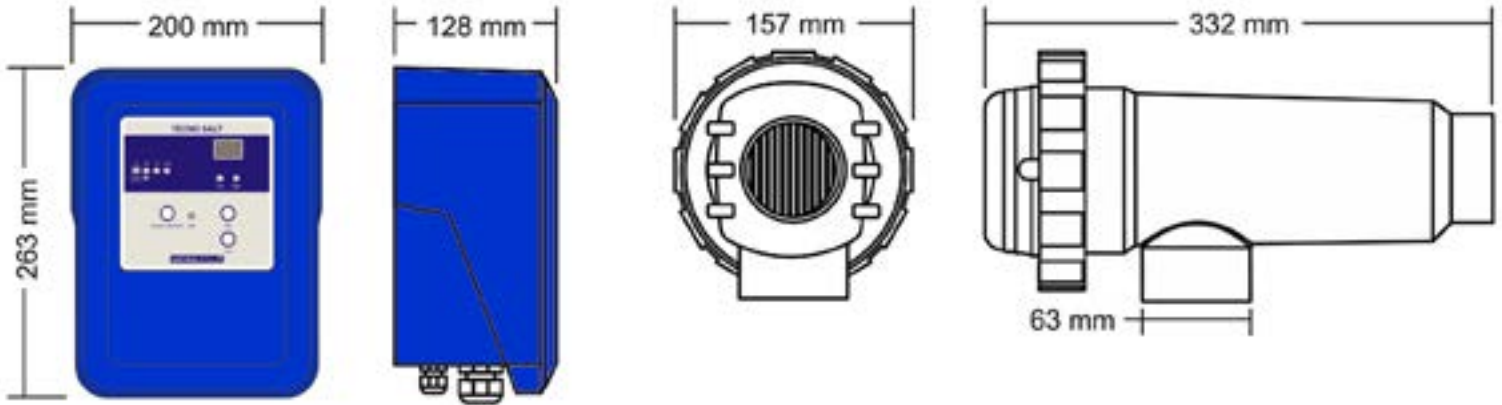
pH VERSIONS

POWER PACK		Description	Tecno Salt 7	Tecno Salt 12	Tecno Salt 21	Tecno Salt 30
		Input voltage	230 V – 50/60 Hz			
		Input amps	0,2A	0,4A	0,4A	0,8A
		Fuse	1A	2A	2A	3,15A
		Production	7 g/h	12 g/h	21 g/h	30 g/h
		Pool size (water up to 25°C, max volume -25% above 25°C)	30	50	90	140
		Salinity	5 g/L (mini / max = 4-10 g/L)			
		Water temperature	Max 40°C			
		Power pack	ABS			
		Polarity reversal	Yes (2 - 3 h)			
		Production control	0 – 50 – 75 – 100%			
		Flow detection (gas)	Yes			
Pool cover mode	Yes (Decreases production at 10%)					
Salt alarm indicator	Yes					

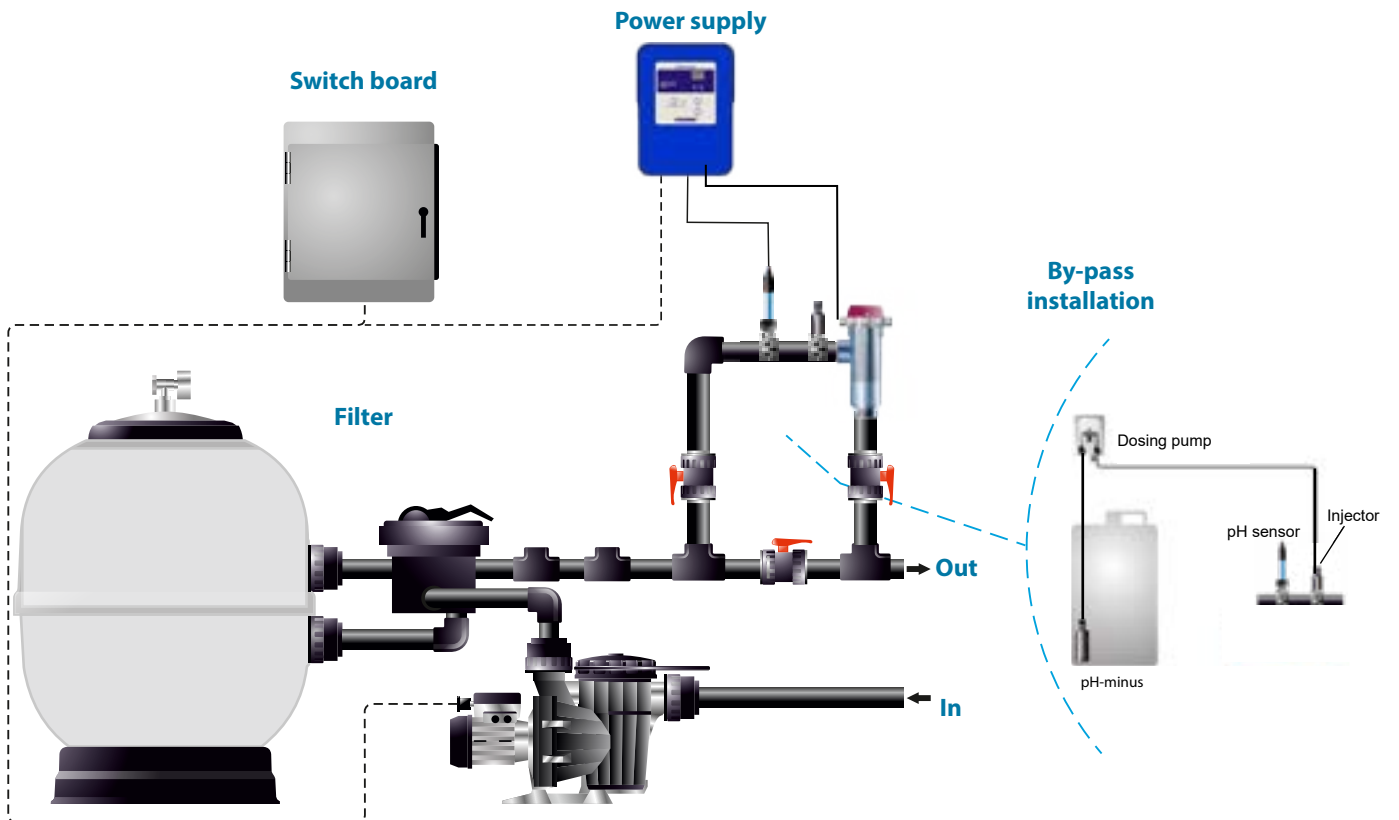
CELL		Description	Tecno Salt 7	Tecno Salt 12	Tecno Salt 21	Tecno Salt 30
		Electrode (self-cleaning titanium activated)	Tech grade: 8 000 – 10 000 h			
		Min. flow (m³/h)	2	3	5	6
		Number of electrode plates	3	5	7	11
		Cell body	Methacrylate derivative			
		Plumbing	Glued PVC Ø63 mm			
		Maximum pressure	1 Kg/cm²			
		Water temperature	15 – 40°C max			

PH SENSOR		Description	Tecno Salt 7	Tecno Salt 12	Tecno Salt 21	Tecno Salt 30
		Measure range	0.00 - 9.99 pH			
		Control Range	7.00 - 7.80 pH			
		Accuracy	+/- 0.01 pH			
		Calibration	Automatic with calibration solutions			
		Control Output (pH)	One output 230 V / 500 mA ac max (dosing pump connection)			
		pH sensor	Epoxy body, 12x150mm, 0-80°C, single junction			

## DIMENSIONS



## INSTALLATION DIAGRAM



More information:  
[www.astralpool.com](http://www.astralpool.com)